



# KOVA SELECT Pocket Door Handle

# An elegant solution designed to address the issues that plague pocket door hardware design and installation.

An integrated approach to the entire assembly and installation.

We set out to optimize every part of the pocket door from creating a more robust frame kit, a high-quality soft-close track, and most importantly: a completely re-imagined handle. The KOVA SELECT pocket door handle features a clean, modern design with concealed screws, large, easy to grasp handles, and a patent-pending linear-actuated-latch.

## Quick Facts

### Emergency Release

The exterior side of the handle features an emergency release.

### Coordinated Design

“Privacy” handle and “Passage” handle for locking and non-locking sliding door options.

### Large Edge Pull

Easy and quick to access to pull the door out of the pocket.

### ADA-Compliant Linear Latch

The door handle requires no tight grasping, pinching or twisting of the wrist to operate, which makes it easier to use for everyone.

### Renovation-Ready

Designed to be able to readily replace on an existing door slab to make upgrading easy.

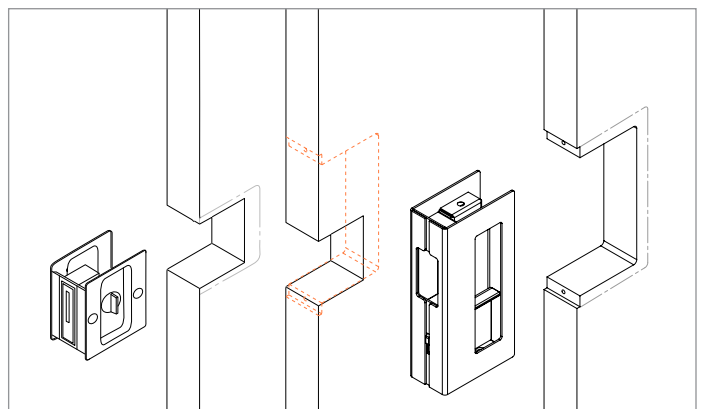
### Concealed Screws

Clever design to hide screws inside and behind the exterior handle allowing for a fastener-free appearance.

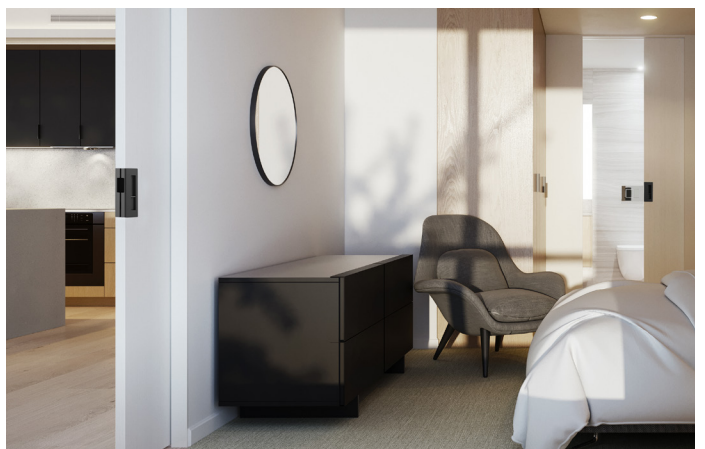
Also available, pocket door assembly which improves on the drawbacks to traditional pocket doors enabling them to be used more often and without hesitation.



Available in Polished Chrome, Brushed Nickel, and Matte Black



KOVA SELECT handle is designed to be able to readily replace the typical handle on the same door slab making upgrading the product easy.



To learn more about KOVA products or request a quote, please visit [kovaproducts.com](https://kovaproducts.com)